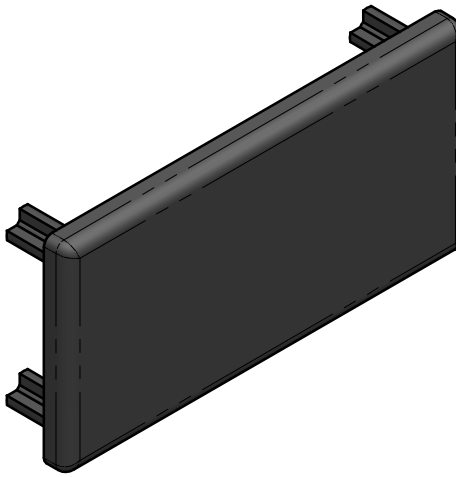
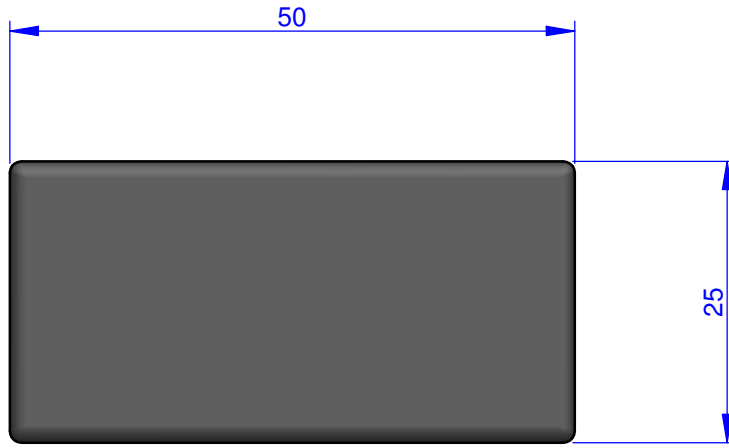


THE PROPERTY OF THIS DRAWING IS ESTABLISHED BY LAW
IT IS FORBIDDEN TO REPRODUCE IT OR SHOW IT TO THIRD PARTY
WITHOUT A WRITTEN AGREEMENT.



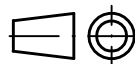
MODIFICATIONS: VARIED DIMENSIONS AS OF DATE:

7. _____ 10. _____
8. _____ 11. _____
9. _____ 12. _____

MODIFICATIONS: VARIED DIMENSIONS AS OF DATE:

1. _____ 4. _____
2. _____ 5. _____
3. _____ 6. _____

FP Services



DESIGNED FROM
FPSERVICES

DATE 11/2013 WEIGHT 0,003 kg

CODE **CA.ADK.X.5025**

Format A4
UNI 936-76

GENERAL TOLERANCE:
UNI - ISO 2768
CLASSE f

DESCRIPTION

